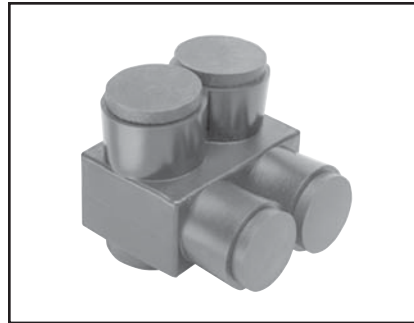


A-60

UV RATED BLACK UNITAP™

UNITAP™

600V, 90°C



Features & Benefits

- UV Rated Plastisol covered AL6061-T6 aluminum body saves time by eliminating the need for taping.
- Oxide inhibitor pre-installed inhibits moisture and contaminants from entering the contact area.
- Range-taking capability reduces the number of connectors carried in inventory.
- UL486B Listed, AL9CU, 600V 90°C.

| Catalog Number | # of Ports | Wire Range (AWG/kcmil) | L | W | H | Hex Key | Torque |
|----------------|------------|------------------------|-------|------|------|---------|--------|
| 1PL42 | 2 | 14 AWG-4 AWG | 1.08 | 1.16 | 1.25 | 1/8 | 45 |
| 1PLO42 | 2 | 14 AWG-4 AWG | 1.08 | 1.50 | 1.25 | 1/8 | 45 |
| 1PL2/02 | 2 | 14 AWG-2/0 AWG | 1.52 | 1.40 | 1.38 | 3/16 | 120 |
| 1PLO2/02 | 2 | 14 AWG-2/0 AWG | 1.52 | 1.56 | 1.38 | 3/16 | 120 |
| 1PL2502 | 2 | 10 AWG-250 kcmil | 2.03 | 2.07 | 2.13 | 5/16 | 275 |
| 1PLO2502 | 2 | 10 AWG-250 kcmil | 2.03 | 2.64 | 2.13 | 5/16 | 275 |
| 1PL3502 | 2 | 10 AWG-350 kcmil | 2.22 | 2.32 | 2.50 | 5/16 | 275 |
| 1PLO3502 | 2 | #10-350 kcmil | 2.22 | 3.00 | 2.50 | 5/16 | 275 |
| 1PL6002 | 2 | 10 AWG-600 kcmil | 2.72 | 2.38 | 2.75 | 3/8 | 375 |
| 1PLO6002 | 2 | 4 AWG-600 kcmil | 2.72 | 3.00 | 2.75 | 3/8 | 375 |
| 1PBS2 | 2 | 14 AWG-2 AWG | 2.38 | 0.75 | 1.22 | 5/32 | 45 |
| 1PBS1/0 | 2 | 14 AWG-1/0 | 2.91 | 0.91 | 1.38 | 3/16 | 120 |
| 1PBS250 | 2 | 10 AWG-250 kcmil | 4.01 | 1.19 | 2.10 | 5/16 | 120 |
| 1PBS350 | 2 | 10 AWG-350 kcmil | 4.63 | 1.34 | 2.35 | 1/3 | 275 |
| 1PBS500 | 2 | 6 AWG-500 kcmil | 5.00 | 1.62 | 2.62 | 3/8 | 375 |
| 1PL43 | 3 | 14 AWG-4 AWG | 1.51 | 1.25 | 1.25 | 1/8 | 45 |
| 1PL44 | 4 | 14 AWG-4 AWG | 1.95 | 1.25 | 1.25 | 1/8 | 45 |
| 1PL2/03 | 3 | 14 AWG-2/0 AWG | 2.19 | 1.31 | 1.38 | 3/16 | 120 |
| 1PL2503 | 3 | 10 AWG-250 kcmil | 2.97 | 2.07 | 2.13 | 1/3 | 275 |
| 1PLD43 | 3 | 14 AWG-4 AWG | 1.51 | 1.50 | 1.25 | 1/8 | 45 |
| 1PLD44 | 4 | 14 AWG-4 AWG | 1.95 | 1.50 | 1.25 | 1/8 | 45 |
| 1PLD2/02 | 2 | 14 AWG-2/0 AWG | 1.52 | 1.56 | 1.38 | 1/5 | 120 |
| 1PLD2/03 | 3 | 14 AWG-2/0 AWG | 2.19 | 1.56 | 1.38 | 3/16 | 120 |
| 1PLD2/04 | 4 | 14 AWG-2/0 AWG | 2.86 | 1.56 | 1.38 | 3/16 | 120 |
| 1PLD2/06 | 6 | 14 AWG-2/0 AWG | 4.20 | 1.56 | 1.38 | 3/16 | 120 |
| 1PLD2502 | 2 | 10 AWG-250 kcmil | 2.03 | 2.64 | 2.13 | 5/16 | 275 |
| 1PLD2503 | 3 | 10 AWG-250 kcmil | 2.97 | 2.64 | 2.13 | 5/16 | 275 |
| 1PLD2504 | 4 | 10 AWG-250 kcmil | 3.91 | 2.64 | 2.13 | 5/16 | 275 |
| 1PLD2506 | 6 | 10 AWG-250 kcmil | 5.78 | 2.64 | 2.13 | 5/16 | 275 |
| 1PLD3502 | 2 | 10 AWG-350 kcmil | 2.22 | 3.00 | 2.50 | 5/16 | 375 |
| 1PLD3503 | 3 | 10 AWG-350 kcmil | 3.13 | 3.00 | 2.50 | 5/16 | 375 |
| 1PLD3504 | 4 | 10 AWG-350 kcmil | 4.04 | 3.00 | 2.50 | 5/16 | 375 |
| 1PLD3506 | 6 | 10 AWG-350 kcmil | 5.86 | 3.00 | 2.50 | 5/16 | 375 |
| 1PLD3508 | 8 | 10 AWG-350 kcmil | 7.68 | 3.00 | 2.50 | 5/16 | 375 |
| 1PLD6002 | 2 | 4 AWG-600 kcmil | 2.72 | 3.00 | 2.75 | 3/8 | 375 |
| 1PLD6003 | 3 | 4 AWG-600 kcmil | 4.00 | 3.00 | 2.75 | 3/8 | 375 |
| 1PLD6004 | 4 | 4 AWG-600 kcmil | 5.28 | 3.00 | 2.75 | 3/8 | 375 |
| 1PLD6005 | 5 | 4 AWG-600 kcmil | 6.56 | 3.00 | 2.75 | 3/8 | 375 |
| 1PLD6006 | 6 | 4 AWG-600 kcmil | 7.84 | 3.00 | 2.75 | 3/8 | 375 |
| 1PLD6008 | 8 | 4 AWG-600 kcmil | 10.40 | 3.00 | 2.75 | 3/8 | 375 |

1PL = 2 Port Single Sided Entry
1PLO = 2 Port Offset Entry

1PBS = In-line Splice/Reducer
1PL = Multi-Port Single Sided Entry

1PLD = Multi-Port Double Sided Entry
UNITAP™ rated for code conductor only.

Blue highlighted items are industry standard and most frequently ordered.